



# Diablo Series

## Line Interactive Technology

### 800 VA



VIDEO GAMES



FAN



E-MEDICAL



TV



WORKSTATION



EMERGENCY



## It has a simple design assembled to make it robust and cheap for you

This series UPS is a kind of Line interactive Uninterruptible Power Supply, it can solve most of the power supply problems, such as:

- Controlled by a technologically advanced microprocessor guaranteeing high reliability
- Equipped with 2-steps boost and 1-step buck AVR to stabilize utility voltage
- Management software is designed to monitor and control UPS status (Optional)
- USB communication port and cable for managing functions via PC (Optional)
- Built-in DC start function enables UPS to be started without AC power supplied
- Constant current, constant voltage battery charger (CCCV Battery Charger)
- No-load shut down function (UPS Green mode)
- UPS shuts down upon battery low and restarts automatically upon AC recovery (Auto-restart)
- Over / under voltage protection (UPS goes to battery mode)
- Battery easy replacement design
- Lightning / surge protection 175 joules

Easy battery replacement (DIY)



LINE INTERACTIVE TECHNOLOGY



BUILT IN AVR



EASY BATTERY CHANGER



LIGHTNING PROTECTION



RJ-11 PORT



OUTLET EN



OUTLET FR



ALARM



UK socket



French socket

Choose your batt.	12V5Ah	12V7Ah	12V9Ah
PC 300w	10 min	15 min	20 min
Router 30w	1hr 10min	1hr 55min	2hr 45min
Alarm 10w	5hr	7hr	9hr

### Specifications

- Line Interactive technology with AVR (-30% +25%)
- Start without the sector
- Protection against peaks, drops and voltage increases
- Alarms: on batteries, weak sector or overload
- Wide input voltage range
- Voltage Regulator (AVR) (+/-30%)
- Compatible with generators
- Low battery and overload alarm
- Protection against lightning
- Available in French or English outlets
- RJ11 telephone protection
- Work station
- Personal computer
- The cheapest rackmount on the market

# The UPS to be dependable of, robust and cheap for you

## 1 AVR Function



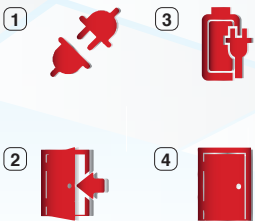
Built-in automatic voltage regulation module corrects voltage fluctuation over wide range, reducing wear on batteries and extend UPS life

## 2 Compatibility with generators



DIABLO series support input power with various generators.

## 3 Easy battery replacement (DIY)



### Do it yourself (DIY)

1. Unplug the machine and caution of hands
2. Open cover
3. Insert and connect the battery (not included)
4. Close cover

## 4 USB Communication port (Optional)



To establish communication between the UPS and a computer, connect your computer to the UPS communication port using an appropriate communication cable

## 5 Buck and boost control



The machine is equipped with 2-steps boost and 1-step buck AVR to stabilize utility voltage

## 6 Over/Under Voltage protection



The UPS consists of a voltage protection circuit which is designed to develop a low-voltage and high-voltage tripping mechanism to protect a load from any damage.

## 7 CCCV Battery charger



A **CCCV** (Constant Current, Constant Voltage) is ideal for small batteries. Initially, the battery is charged at Constant Current. When the battery is nearly full, its voltage reaches the Constant Voltage setting of the **charger**, and the current decays exponentially as the battery gets a finishing **charge**.

## 8 UPS monitoring software (optional)



Power supply monitoring and management is essential to ensure that your network systems are operational in the event of an outage. Uninterruptible Power Supply (UPS) monitoring plays an integral part in the functioning of an organisation.

## 9 LED indicators



- AC normal (Green)
- Battery backup (Yellow)
- UPS cut off/Fault (Red)





## 10 Auto-restart UPS

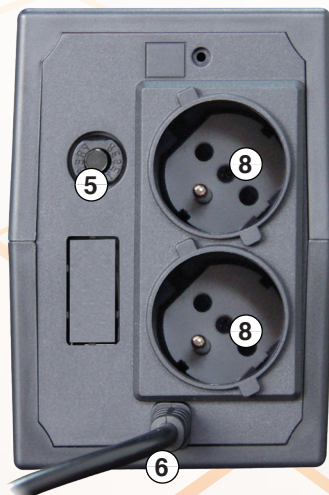






The UPS shuts down upon battery low and restarts automatically when adequate power is restored to the UPS (and is within the operating voltage range of the UPS) it will restart

# Diablo Series



- ① Power ON/OFF button 
- ② Cut-off LED: Overload or fault 
- ③ Backup LED: Battery mode 
- ④ Online LED: AC normal 



- ⑤ Reset button 
- ⑥ AC input 
- ⑦ U.K. socket (PSE-U) 
- ⑧ French socket (PSE-G) 

# Specifications

DESCRIPTION	DIABLO 800VA FR	DIABLO 800VA UK
Capacity	360(W) POLIP2201	360(W) POLIP2202
<b>INPUT</b>		
Voltage	220/230/240Vac	
Voltage range	-30% +25%	
Frequency range	50Hz or 60Hz (auto-sensing)	
<b>OUTPUT</b>		
Voltage regulation	AC mode / Battery normal : 220/230/240Vac +/- 10%	
Frequency	AC mode: 47-53Hz for 50Hz or 57-63Hz for 60Hz	
Waveform	Battery mode: 50Hz or 60Hz +/- 1Hz	
Transfer time	< 6ms(Typical)	
Outlet	French or UK*2pcs with backup/AVR plus surge	
<b>BATTERY</b>		
Voltage	12V DC	
Type	Not included 5, 7 or 9Ah	
Recharge time	5 hours to 90% after complete discharge	
Safety protection	Over Charge & Over Discharge Protection	
Advanced battery management	Yes	
<b>DISPLAY</b>		
LED status indicators	AC normal (Green), Battery backup (Yellow), UPS cut off / Fault (Red)	
<b>AUDIBLE ALARM</b>		
Battery mode	Two short tones every 8 seconds	
Low battery	Four short tones every second	
Overload	Red LED: Flashing / Buzzer: Beeping continuously	
Fault	Beeping continuously	
<b>MANAGEMENT</b>		
Smart USB communication port	Optional	
<b>ENVIRONMENT</b>		
Operating Temperature	0° C - 40° C (32°F-104°F)	
Humidity	0-95%, non-condensing	
Acoustic Noise	<40 dB at 1M	
<b>PHYSICAL</b>		
Smart USB communication port	Optional	



**IPower International Ltd**

-  BPML Freeport Zone 6, Mer Rouge, Republic of Mauritius
-  +230 5 988 90 80 / +230 5 940 92 68
-  +230 5 956 33 00
-  sales@ipower.re / info@ipower.re
-  www.ipower.re

- Uninterruptible Power Supply (UPS)
- Automatic Voltage Regulator (AVR)
- Isolating Transformers Maintenance free
- 12VDC VRLA batteries manufacturer
- Distributor, installer & service provider

**BRN:** C15131905  
**VAT:** 27357325